

QAQC UD Sleeve Sampler

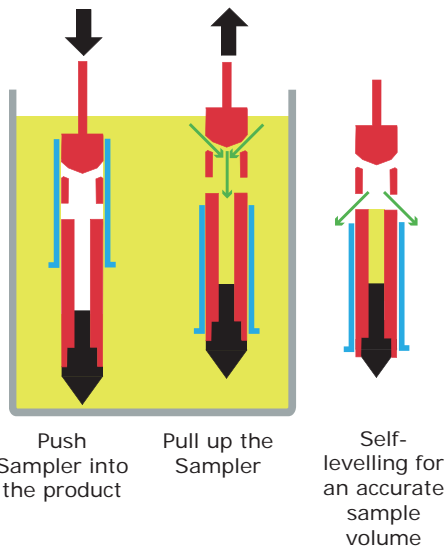
The Accurate Unit Dose Powder Sampler

The U-D Sleeve Sampler is extensively used in the pharmaceutical industry for accurate, small volume sampling of free flowing powders and granules. It is ideal for Unit Dose Sampling.

- Single Point Unit Dose Sampler
- 316 stainless steel
- Use extension rods to increase the length of the sampler

Operation

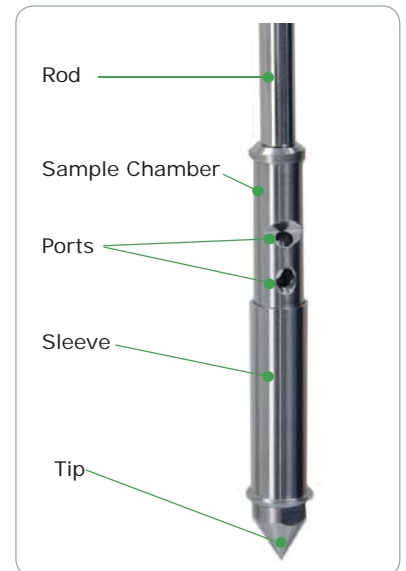
1. Insert the sampler into the product.
2. At the required depth pull up the sampler slightly (this upwards action will force the sleeve down the sample chamber and expose the ports) the product can then fall into the sample chamber.
3. As the sampler is removed the excess powder will fall out of the overflow leaving an accurate volume of powder in the sample chamber.



U-D Sleeve Sampler Set (675 1500S01) - The set includes a range of 10 interchangeable tips to allow different sample volumes to be taken. Extension rods allow samples to be taken from a depth of up to 3m.



Different Volume Sampling Tips can be fitted to the same chamber



QUICK QUOTE

ONLINE PRICING

Stock No.	Description	
675 1500S01	U-D Sleeve Sampler Set	
	Includes: 1 x T-bar handle - 600mm 4 x handle extension rods - 600mm 1 x Type 1 sample chamber (for Tips 0.1 to 1.2ml)	1 x Type 2 sample chamber (for Tips 1.3 to 2.5ml) 10 x Sampling tips* (0.1ml to 2.5ml - see below) 1 x High Quality Sampler Case - lockable
675 1500A01	T Bar Handle 600mm	
675 1500A02	Handle Extension 600mm	
675 1500A03	Sample Chamber - Type 1 (for Tips 0.1 to 1.2ml)	
675 1500A04	Sample Chamber - Type 2 (for Tips 1.3 to 2.5ml)	
675 1500C01	High Quality Sampler Case - lockable - with cut outs for sampler components	
XRF Certification	XRF Certification (see page 139)	
Tips are available in all sizes from 0.1ml to 2.5ml in 0.1ml increments. (0.1ml, 0.2ml, 0.3ml, 0.4ml etc.)		

* When ordering 675 1500S01 please list the ten Sampling Tips that you require