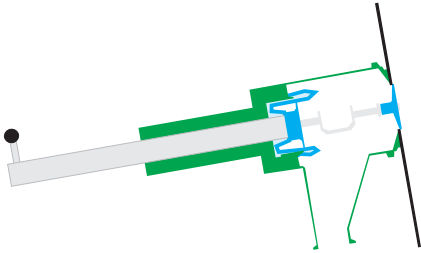


Installing a FreeGlide in a non-vertical Pipe

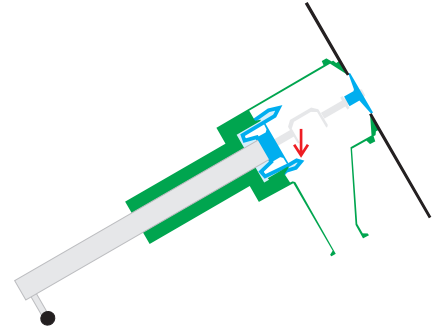
We do not recommend installing the FreeGlide at more than 10° from vertical

Installed 10° from Vertical



The FreeGlide will work with pipes that are up to 10° from vertical

Installed 30° from Vertical

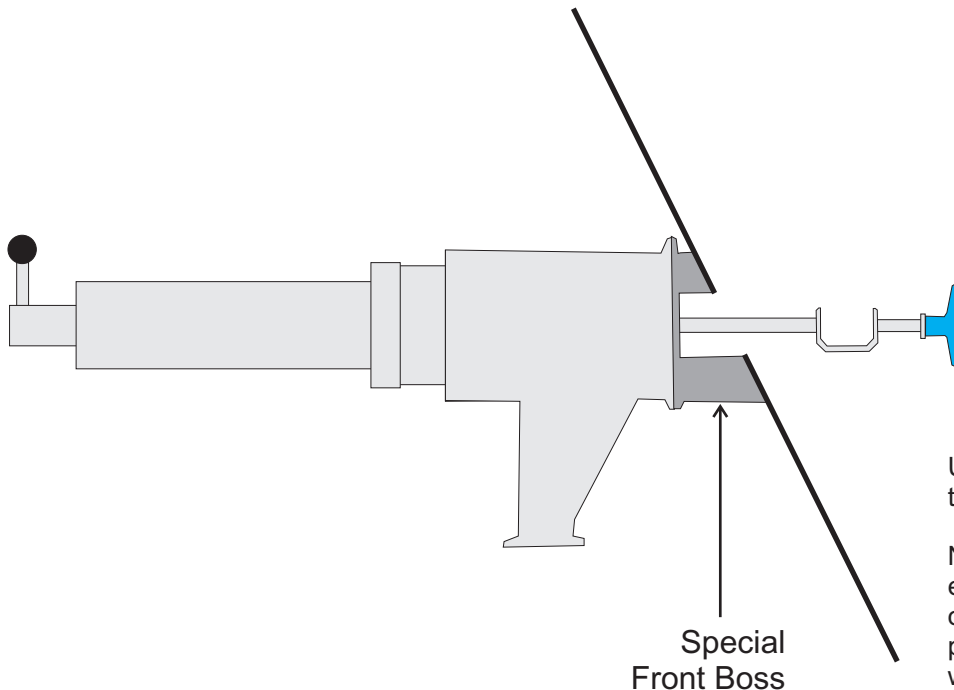


The powder could fall into the recess when the cup is inverted for emptying.

When the cup is extended the powder will fall down the chute.

We do not recommend this type of installation.

Installation for pipes more than 10° from vertical



Using a Special Front Boss will keep the FreeGlide horizontal.

NB. If the FreeGlide is left in the extended position powder will collect on the ledge on the Front Boss. This powder will be swept into the sampler when the cup is retracted.