

Product Specification

Specification Number

675 A92625

Revision

01

Part No.

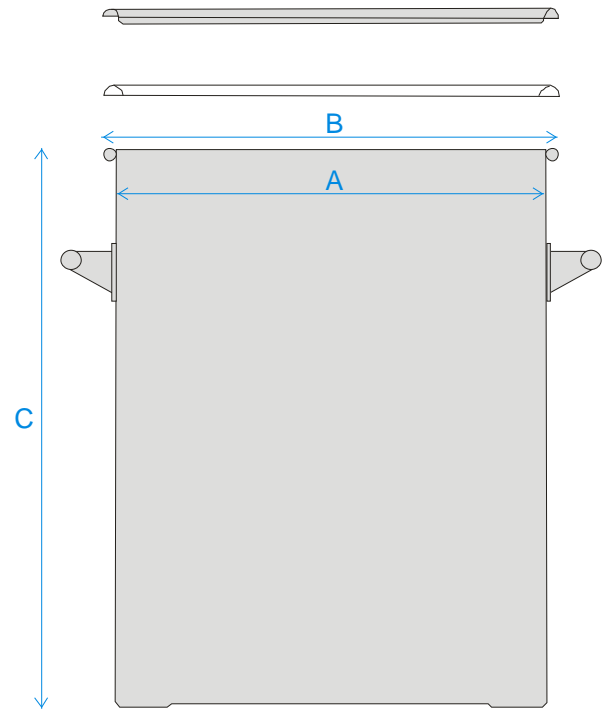
675 A92625

Description

Toggle Drum 25L

Materials of Construction:

- Body: 316 stainless steel
- Lid: 316 stainless steel
- Toggles: 304 stainless steel
- Handles: 304 stainless steel
- Gasket: Silicone (FDA 177.2600 and USP Class VI compliant)



Nominal Volume:

25 Litres

Brimful Volume:

26 Litres

Method of Construction:

Welds ground and polished

Surface Finish:

Better than 0.5 microns Ra

Dimensions

A = 300 mm
B = 320 mm
C = 380 mm

Graduation Marks:

None

Handles:

2 side handles welded onto patch plates

Number of Toggles:

4

Weight:

6.0 Kg (body + gasket + lid)