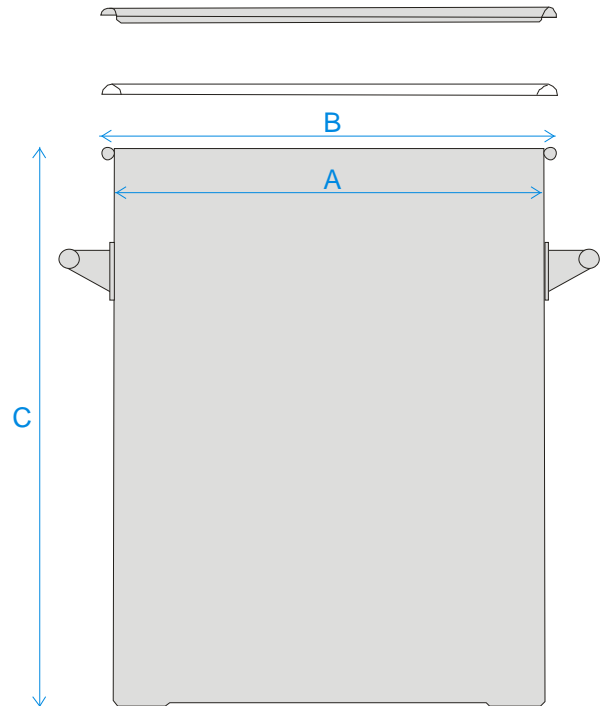


Product Specification

Specification Number 675 A926100

Revision 01

Part No.	675 A926100
Description	Toggle Drum 100L
Materials of Construction:	<ul style="list-style-type: none"> - Body: 316 stainless steel - Lid: 316 stainless steel - Toggles: 304 stainless steel - Handles: 304 stainless steel - Gasket: Silicone (FDA 177.2600 and USP Class VI compliant)



Nominal Volume:	100 Litres
Brimful Volume:	105 Litres
Method of Construction:	Welds ground and polished
Surface Finish:	Better than 0.5 microns Ra
Dimensions	<p>A = 470 mm</p> <p>B = 490 mm</p> <p>C = 610 mm</p>
Graduation Marks:	None
Handles:	2 side handles welded onto patch plates
Number of Toggles:	6
Weight:	13.7Kg (body + gasket + lid)