

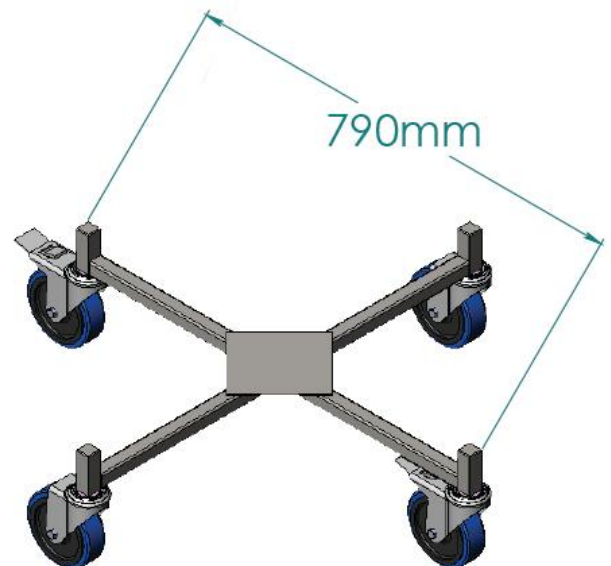
# Product Specification

Specification Number	675 A384320
Revision	01

Part No. 675 A384320

Description Drum Trolley

Material of Construction: Frame: 304 stainless steel  
 Wheel Mounts: 304 stainless steel  
 Wheels: Polyamide



Method of Construction: Frame - welded

Surface Finish: Better than 0.8 microns Ra

Max. Frame Width: 790mm

Deck Height 160mm

Nominal Weight: 8.45kg