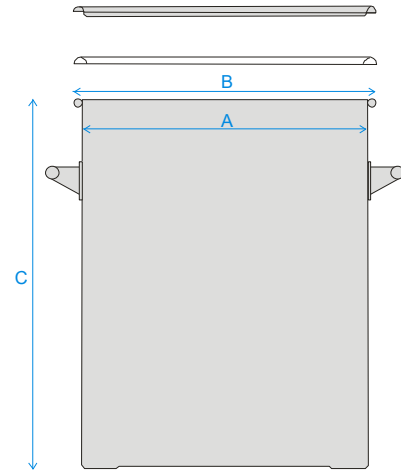


1. Part Number: 675 A12603

2. Photograph:



3. Product Information:

Description	Stainless Storage Drum 1L
Materials of Construction:	<ul style="list-style-type: none"> - Body: 316L stainless steel - Lid: 316L stainless steel - Clamp: 304 stainless steel - Handles: 304 stainless steel - Gasket: Silicone (FDA 177.2600 compliant)
Nominal Volume:	1 Litres
Method of Construction:	Welds ground and polished
Surface Finish:	Better than 0.5 microns Ra
Dimensions	<ul style="list-style-type: none"> A = 178 mm B = 192 mm C = 150 mm
Graduation Marks:	None
Handles:	2 side handles welded onto patch plates
Weight:	1.96 Kg (body + gasket + lid + clamp)
BSE/TSE statement:	All polishing compounds used in the manufacture of this product are of vegetable origin.
Quantity per Pack:	1
Recommended Storage Conditions:	Dry and ambient temperature